

Distributed by:-  
National Seal Systems Ltd  
Unit 210 Holly Road Ph: 01 -4565170  
Western Ind. Est. Fax: 01- 4502371  
Naas Road, Dublin 12  
Email:-info@nationalseal.ie  
Web:-www.nationalseal.ie

# Aquamac™

THE ONLY  
WEATHERSEAL FOR  
TIMBER WINDOWS  
AND DOORS



**Schlegel\***

# Aquamac – completely impervious to both paint and stain



With over 50 years of global experience in the design and manufacture of outstanding window and door products, it is little wonder that Schlegel has become the industry's first choice for not only weatherseal products, but locking and security systems, handles and hardware.

The unique AQUAMAC weatherseal has been developed in consultation with our customers to offer the widest range of seals possible for timber windows and doors. The unique design has made Aquamac impervious to paint and stain, while still providing some of the best energy saving performance characteristics currently available.

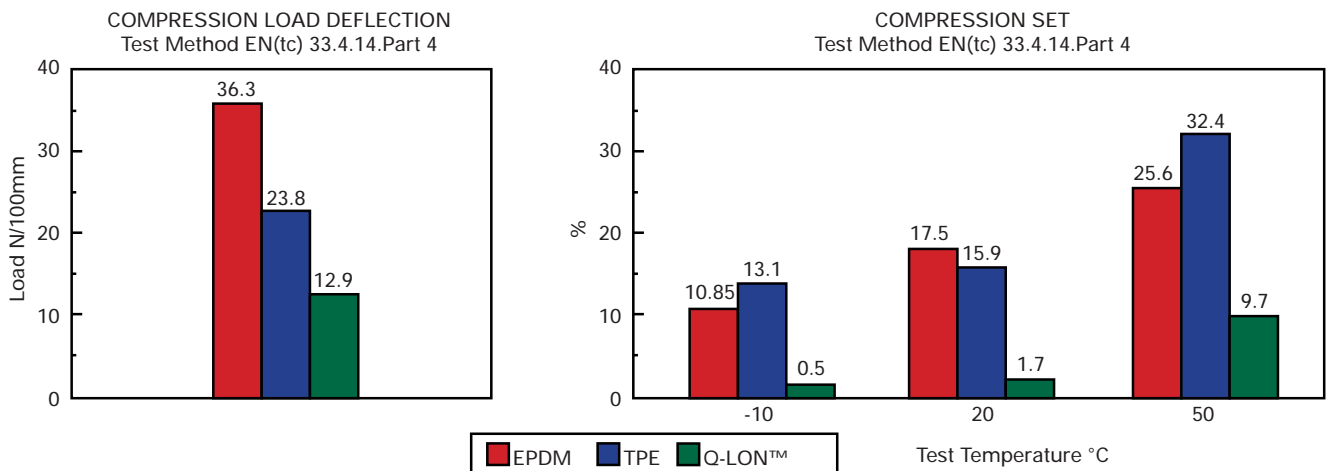
Backed by our lifetime guarantee, AQUAMAC will never let you or your customers down, making it a highly cost-effective way of offering continuous high standards of weathersealing, year after year.

## OUTSTANDING ENERGY EFFICIENCY

Specifically designed to meet the different demands of timber windows and doors, AQUAMAC maintains consistently high standards of energy efficiency, often exceeding any long-term window performance guarantees.

- Exceptional performance maintained over a wide temperature range. Doesn't shrink or stretch, even in extreme climatic conditions.
- Excellent memory - retains its original shape year after year to maintain a consistently high standard of weatherseal.
- Kerf tolerances have been increased and are more forgiving of your manufacturing process  $-2.7\text{mm} \pm 0.3\text{mm}$ .
- Compensates for window movement.
- Lower insertion forces speed up fitting by 15%.

## TYPICAL TEST DATA



*Long term memory tests have demonstrated that AQUAMAC is an effective and enduring weatherseal.*





### TRIED AND TESTED IN THE REAL WORLD

Every product Schlegel manufacture is rigorously tried and destructively tested before reaching you. However, AQUAMAC has also more than proven its outstanding weatherseal performance through years of practical use in the real world.

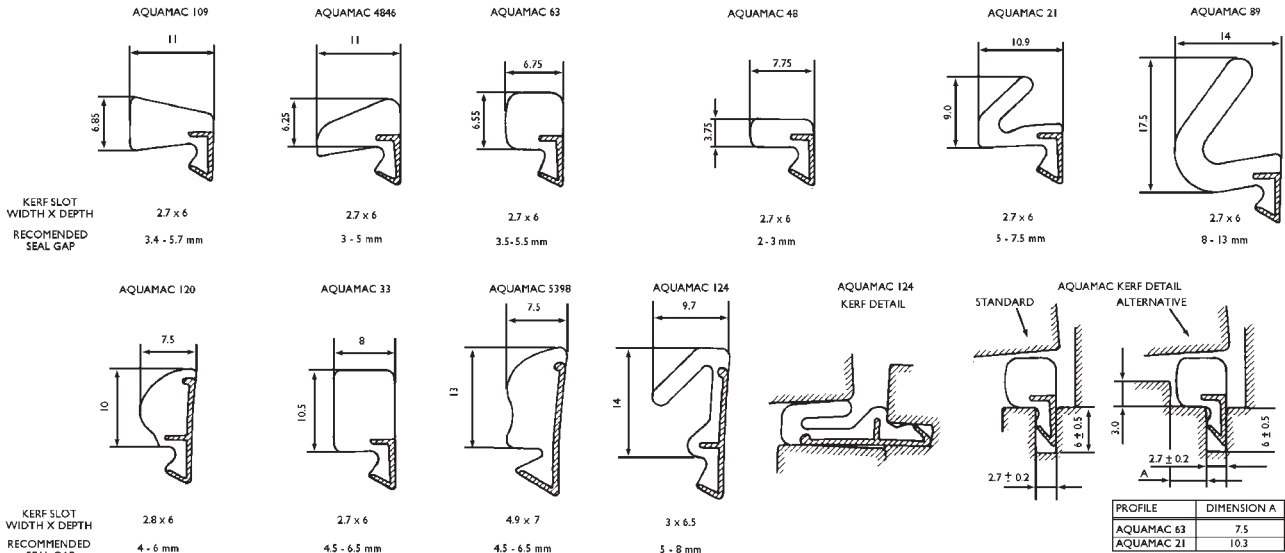
- Impervious to paint and stain.
- High wear resistance reduces wear and tear.
- Water repellent foam is unaffected by rot, mould or mildew and will not freeze to mating surfaces.
- Immune to the effects of UV light and ozone.
- More environmentally friendly - CFC free.
- Stays looking good for years.

### EXCEEDING EXPECTATIONS

AQUAMAC, like every product in the Schlegel range, more than exceeds expectations. Just because a standard is reached, why stop? We always try to exceed what is expected.

- Backed by a lifetime guarantee.
- Conforms to BS644/BBA approved.
- Available in 2 standard colours - white and brown. Others available.
- Bespoke design to your specification.
- Extensive technical support and back-up is always on hand.

### AQUAMAC PROFILE REFERENCES



Distributed by:-  
 National Seal Systems Ltd  
 Unit 210 Holly Road Ph: 01-4565170  
 Western Ind. Est. Fax: 01-4502371  
 Naas Road, Dublin 12  
 Email:-info@nationalseal.ie  
 Web:-www.nationalseal.ie