

The E Series

Sensei Tilt & Turn Locking

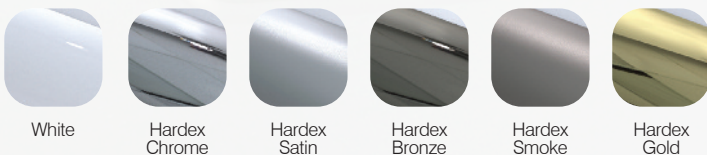


National
Seal Systems
Limited

*Unit 210 Holly Road, Western Industrial Estate,
Naas Road, Dublin 12
Ph 00353-1-4565170 Fax 00353-1-4502371
Email: info@nationalseal.ie web: www.nationalseal.ie*

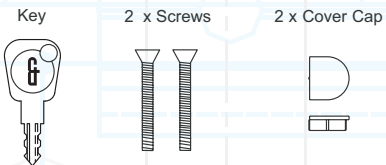
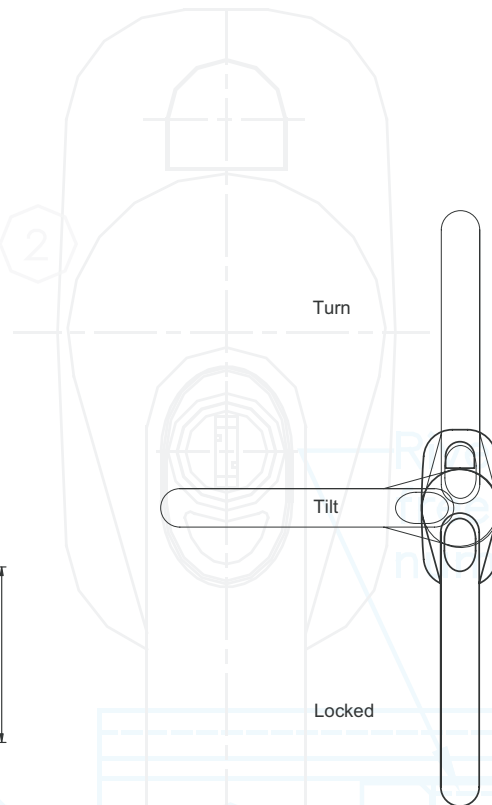
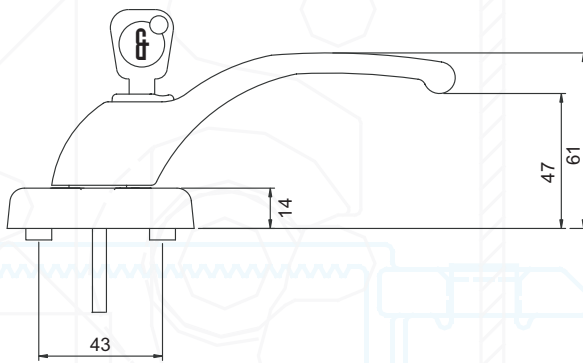
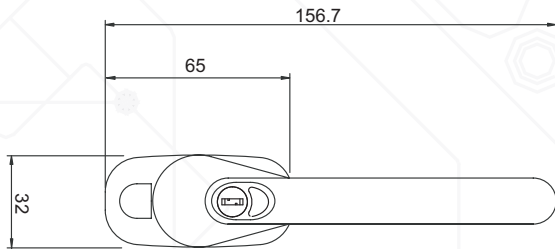
Features & Benefits

- Handle locks in the closed position
Locks at 0°, firm hold when at 90° or 180°
- Solid die cast zinc construction
Heavyweight handle with sturdy feel
- Heavy duty sprung latching wedge
Positive click on closing
- Long handle with 47mm window clearance
Greater leverage and easy to operate without catching a hand on the window
- Classic design with a contemporary twist
Create an elegant and stylish window
- Patented cover caps with colour coordinated finish
Perfectly matching components, even down to the smallest details



Fab&Fix

Sensei Tilt & Turn Locking



All dimensions are shown in millimetres

Additional Benefits

- **Secured by Design**
Additional peace of mind
- **Key clicks into place when inserted**
Won't fall out of the lock, even when pivoting the lever
- **Slotted spindle (40mm version only)**
Allows cropping to 5mm increments

Technical Specification

Designed for PVC-U, aluminium and timber windows
 Certified to BS 7950: 1997
 All finishes salt spray tested to 480 hours
 (BS EN 1670: Class 5)
 Tested to 50,000 cycles

Product Codes

Sensei Tilt & Turn Locking

Size	White	Hardex Chrome	Hardex Satin	Hardex Bronze	Hardex Smoke	Hardex Gold
35mm	0G120	0G121	0G122	0G123	0G124	0G125
40mm	0G140	0G141	0G142	0G143	0G144	0G145
45mm	0G160	0G161	0G162	0G163	0G164	0G165